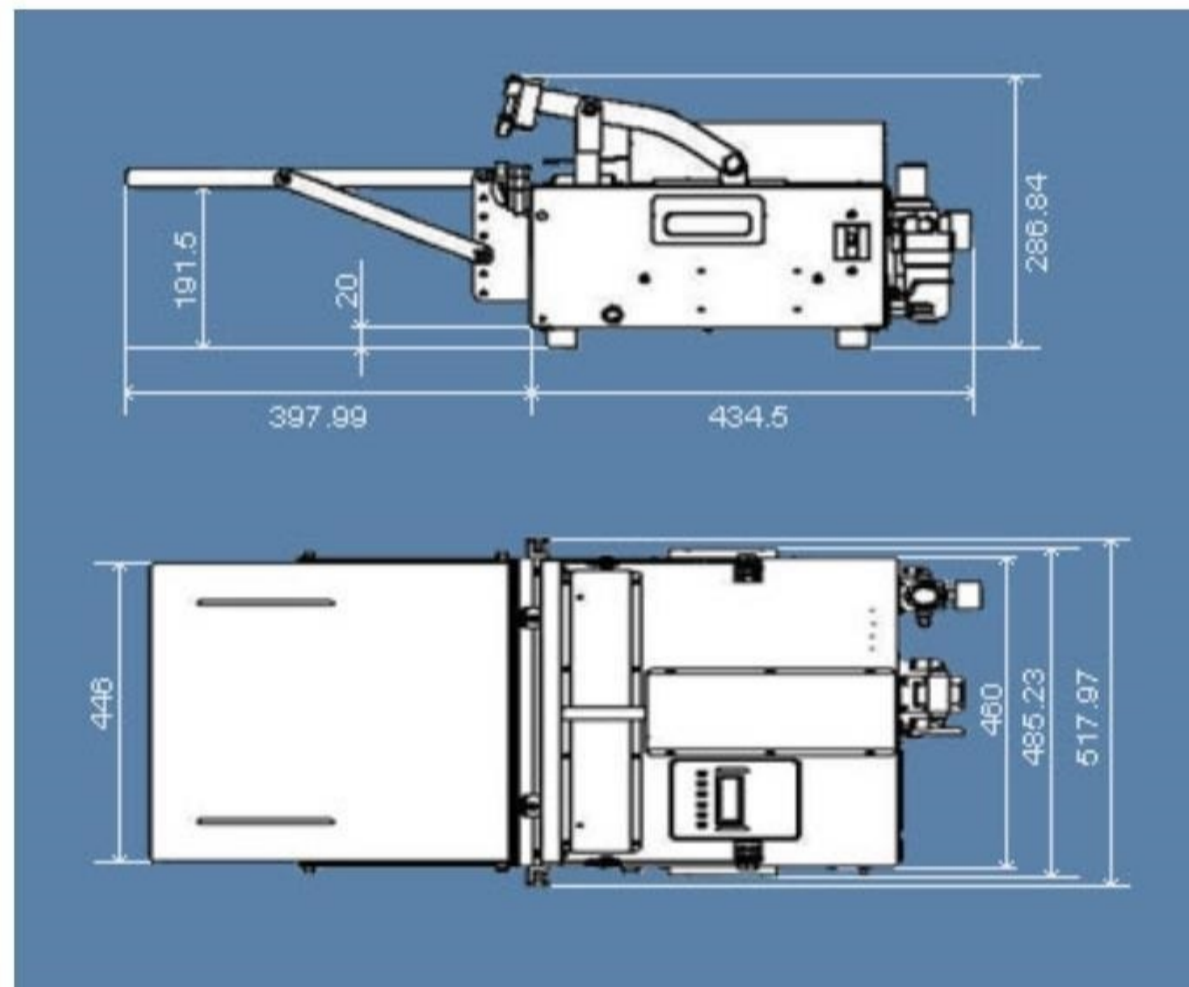


DeskTop Nozzle Type Vacuum and Gas Flushing Sealer

This type of vacuum and gas flush packaging machine is very compact and portable suitable for packaging process in any small work space. The sealer functions include sealing, vacuum and gas flush packaging. Available in 450, 600 or 800 mm sealer bar length along with optional double seal ribbon.



1. BODY :

- Fully stainless steel,
- vacuum sensor built in control box

2. FUNCTION :

- S MODE : SEALING
- V MODE : VACUUM - SEALING
- G1 MODE :
 1. GAS FLUSHING - SEALING
 2. VACUUM - GAS FLUSHING - SEALING
- G2 MODE :
 1. VACUUM - GAS FLUSHING- VACUUM - SEALING
 2. GAS FLUSHING - VACUUM - GAS FLUSHING - SEALING
 3. VACUUM - GAS FLUSHING - VACUUM - GAS FLUSHING – SEALING



The function of gas flushing and gas substitution are included in the basic function



Fuses for circuit protection are attached



Pneumatic utility (air regulator with filtering function) is attached to maximize work efficiency.

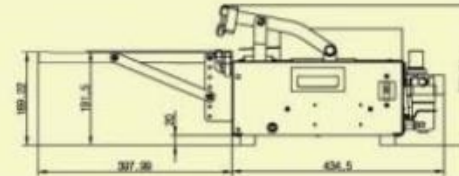
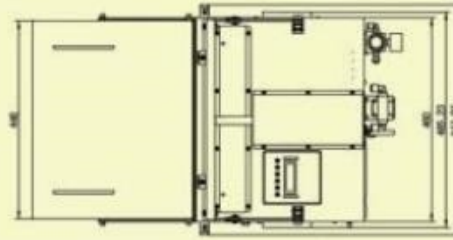


Control box Detachable (easy for after-sale service)



In case of using a thick film to pack, upper and lower double hot wires are attachable





Applied items	Customers
Semiconductor and wafer	Motorole, Crossmos Ltd, Seoul Semiconductor, Hynix Semiconductor, Comico, Venture town in Suwon University, Ijin Diamond, etc.
Various ICs and electronic components	Terrasem, Samsung Electro-Mechanics, Samsung Electronics Co. in Gumi, LG Electronics, Samsung Techwin, etc.
Optical tools	Sekonix, Nano Optics, Taeyoung Optics, Bangju Optics, Haeseong Optics, LT ULTRA, etc.
Machinery	DF Tech, Cinos Engineering, etc.
Mobile phone	Korea Alps, SI Telepac, Daeho MMI, Sina Tech, Samyoung Electronic Communications, etc.
Research equipment	Institute for Advanced Engineering, Korea Electronics Technology Institute, Korea Atomic Energy Research Institute, Byeongjeom Agricultural Technology Research Institute, etc.
Medical field	SAEROMPHARM, Greencross, Fresenius-kabi Greencross, Sang-a Medical, Tsumura, ID Biochem, Department of pathology of Seoul National University, etc.
Silicon	Korea Shinetsu Silicon, Thai Shinetsu Silicon, etc.
Clothes and others	Ministry of National Defense, The Jungang Research Center of the Cultural Heritage, Mitsubishi, LG INNOTECH Indonesia, etc.



❖ Foods
Shelf life extension, and freshness and flavor maintenance

Applied items	Customers
Dried fish and meat	Donghae Geonomul, Deoksu Yutong, etc.
Vegetables	Singsingwon, Pulhananongwon, Wonhyeop55, Myeongmun Catering, Seongdo Nongsan, Biosystech, etc.
Grains	Hyunmenara, Baegam Nonghyup, Cheongjeong Migokcheorijang, Naju Agricultural Technology Center, etc.
Fish and meat	Songdo Susan, Gil Susan, Daeseon Mulsan, Mokpo Suhyp, Leacadena, etc.
Nuts	Hanbando Foods, Nakaoka Foods, etc.
Hot goods	Ganjung Nongsan, Midang Namwongol Chuotang, etc.
Others	Bamsong Foods, Mokpo Suhyp, Damyang Bamboo Nara, Petworld, Kyunghee University, Hatai Dairy Gangjin Plant, Sheryang Manna, A.T.C Corn, Korea royal corn, etc.



WEIGHT (kg)	35 kg (Notice : This value is changeable relying on vacuum pump type)
SEALING BAR LENGTH (mm)	450 (option : 600, 800, double heat wire)
SEALING BAR WIDTH (mm)	5, 10
VACUUM PUMP	Ejector vacuum pump type, oil vacuum pump, oilless vacuum pump (Refer to selection method of vacuum pump)
REQUIRED ELECTRICITY	1ph, 220V, 50/60Hz (Optional 110V)
REQUIRED AIR PRESSURE	5-7kg/cm ²
Max. instantaneous consumed electricity	1.8 ~ 4.0 KW (relying on sealing bar's length and width)
MAX. FINAL VACUUM	generally 85Kpa in case of using ejector type vacuum pump
VACUUM CREATION	timer controlled / vacuum sensor controlled
GAS FLUSHING/SEALING/COOLING	timer controlled
VACUUM VISUALISATION	appears digitally on LCD panel of control box

Pacemaker Packaging Corp
72-00 51st Road-Woodside, NY
718+458-1188

distributed by **BIRNBERG MACHINERY**
4828 Main Street-Skokie, IL
847+673-5242
www.bagsealers.com