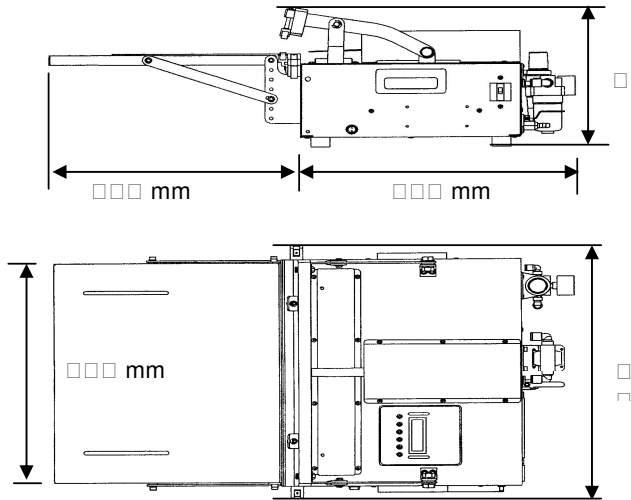


# Nozzle Type Vacuum & Gas Flushing Sealer



\* The above picture and drawings are for **AZ-450E, 18"**

- **MODEL** AZ-800E ( DESKTOP TYPE )
- **PRICE** 5,400.00 fob Skokie, IL
- **OPTIONS** Gas flushing function / Biactive Sealing
- **SPECIFICATION**

<b>BODY</b>	<b>Stainless Steel</b>
<b>WEIGHT</b>	Approx. 30 kg
<b>SEALING LENGTH</b>	800 mm
<b>SEALING WIDTH</b>	5mm ( Option : 10mm ) - In case of 10mm width, Up & Low heat w
<b>VACUUM CREATION</b>	Ejector vacuum
<b>ELECTRICITY</b>	1ph, 220V, 50/60Hz (Option : 110V)
<b>REQUIRED COMPRESSOR AIR</b>	5-7kg/□
<b>MAX. FINAL VACUUM</b>	Generally 80Kpa
<b>VACUUM CREATION</b>	Timer controlled / Vacuum sensor controlled
<b>GAS FLUSHING / SEAL</b>	Timer controlled
<b>VACUUM VISUALISATION</b>	Appears digitally on LCD panel of control box
<b>PROCESS SETTING</b>	Eight PLC control funtions for all sealing configurations

## ■ Here is why this unit offers so much more

1. Packing by vacuum degree (unit : kpa) or time (unit : 0.1 sec) - Vacuum sensor built
2. 1st and 2nd vacuum degree/time can be set differently
3. Indicator of the operation and condition of machine (LCD, LED)
4. Digital control unit easily detachable from the body
5. Safety - Sealing bar goes up immediately if fingers are got between sealing bar
6. Digital counter function
7. Circuit-protection fuses installed
8. Pneumatic method for powerful sealing and low electricity consumption

- **APPLICATION FIELD** INDUSTRIAL GOODS : Semicon, Medical, Optical, General Machine/P  
FOODS : Meat, Fish, Vegetable, Grain, Nut, Oriental Herb, Hot F